

## Technical Advice:

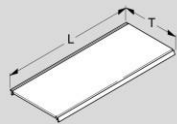



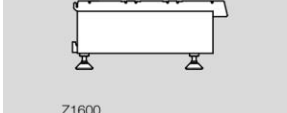
### Load Standards and Allowances for Original-Tegometall Wall Shelving and Gondolas

#### Following Applies:

- Articles must be evenly distributed over entire shelf.
- Wall Fasteners increase stability and durability of wall shelving and are recommended to evenly distribute weight. Safety must be checked by customers.
- When stocking shelves, place heavier items on lower shelving to ensure proper weight balance
- Make sure that all connections and fasteners are properly installed and tightened.
- Shelving must not be subject to sudden impact or sudden weight loads.
- If shelving is filled to capacity, the upper rear wall must also be re-inforced by using 107154 backwall protection.
- In case of missing load specifications or special load requirements, please contact our technical department.
- For double-sided loading (Gondolas), please load similar or same weighted loads on either side of shelving wall
- The columns of wall shelves must be attached or fixed to walls for heights of 220cm or larger

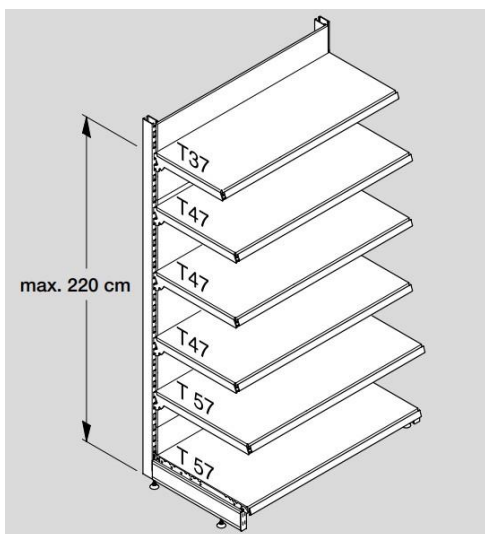
Please note A) and B) to determine allowed weight loads for your individual shelving configuration:

#### A) Allowable loads for shelving on consoles and on footboards

Weight limit per floor +corresponding consoles pair in kg (Specifications for consoles are only valid in connection with rectangular columns)										
Support type– Shelf Combination	Console 2 H with corresponding shelf		Console 3 H with corresponding shelf		Heavy Console 3H with corresponding shelf	Footboard H 16 With corresponding shelf				
	 Z1596		 Z1597		 Z1426	 Z1600				
Shelf- depth in cm	T 30	T 37	T 47	T 57	T 67	T 37	T 47	T 57	T 67	
Element width in cm	62,5	80	80	80	150	100	80	80	150	150
	100	65	100	125	125	100	125	125	125	180
	125	95	85	85	125	100	85	85	125	125

**B) Calculation of weight limits per axis**

= Weight allowance sum of all shelves without base in kg



First, the **average or mean depth** of your shelves

The average( or mean) depth is calculated as the sum of all shelf depths (without footers) divided by the number of shelves (without footer)

**For Examp~~s~~:**

Sum of all shelves (without footboards):  $37 + 47 + 47 + 47 + 57 = \underline{235}$   
 Number of shelves(without footboards):

**Average depth:**  $235 / 5 = \underline{47}$

Säule	Maximum load sum in kg at a mean depth(t)		
	T 37 footboard from min. 47cm	T 47 Foodboard from min. 57cm	T 57 Foodboard from min. 67cm
<b>60 x 30mm</b>	250	200	150
<b>+ max. Weight of foot board for ex. 100cm axle width</b>	125	125	180
<b>= total axle load</b>	375	325	330

Further details on allowable weight loads for individual parts and accessories can be found in our most recent general catalog [https://www.tegometall.online/media/pdf/e7/ed/d3/tegometall\\_general\\_catalog\\_2016.pdf](https://www.tegometall.online/media/pdf/e7/ed/d3/tegometall_general_catalog_2016.pdf)

Please observe all information in the assembly instructions during assembly:

<https://www.tegometall.online/media/pdf/6c/46/db/Montageanleitung-Tegometall-Ladenregale-ENG.pdf>

For specialized requirements or questions, please contact our sales team.

We are happy to advise you on exactly what you will need. <https://www.tegometall.online/en/contact>

**+ 49 441 - 96010622**

Mo-Fr, 09:00 - 16:30 Uhr